



Replacement PTAC Chassis for American Air Filter-Nelsonaire series 25, IslandAire '25' & RetroAire 'RC 15'

NOMINAL CAPACITY:

9,000, 12,000, 15,000 BTU/h

For Sales assistance call, 877-782-2289 / 877-PTAC-BUY



centrifugal condenser fan

MADE IN USA



Description:

Adirondack-Aire '25' Series is a direct replacement for American Air Filter Neslonaire Series 25, IslandAire '25 & RetroAire 'RC 15' chassis. The chassis is a part of a complete system, which consists of the chassis, blower/heat section, control box, a wall sleeve, room cabinet, and outdoor louver. The chassis contains the compressor, indoor and outdoor heat exchangers, condenser motor & fan, and refrigeration circuit controls. The '25' is dimensionally identical to the original for a fast, easy, and trouble free installation. Proven technology, quality components, careful design and testing, and the latest in reliability and efficiency advances assure long life, user satisfaction, and lower energy cost! Consider the extensive list of standard features

which includes: Rust-Block\* corrosion protection system, centrifugal condenser fan, evaporator freeze protection, permanent electrostatic air filter, pull handle, and high-pressure over protection... and Adirondack-Aire is the replacement solution the competition can't match. Cold Point Corp. backs the '25 with a customer friendly one-year parts and labor warranty and five-year compressor warranty, (see Warranty document for details). Heat pumps are available and include a thermostatic expansion valve and condenser drain pan valve. Consult factory for availability of heat pumps.

Application & Benefits:

The Adirondack-Aire '25' series replacement chassis fits the existing American Air Filter- NelsonAire wall sleeves and room cabinets and works with the existing blower/heat section and control box without modification. A forward curved centrifugal condenser fan provides proven airflow performance. The standard high-pressure switch and evaporator freeze protection stops unit operation before damage occurs should airflow become reduced or obstructed due to dirty coils, obstructed airflow, or motor failures or lock-up.....a premium feature usually found only in expensive commercial systems. Condensate re-evaporation and the Rust-Block system assure a stain-free building exterior. High efficiency compressors provide demonstrated reliability and low sound levels and cut energy costs...and because the chassis dimensions and construction details are like the original, replacement work is fast and easy. A chassis pull handle is provided to facilitate easy removal and handling. Using Adirondack-Aire replacements eliminates the need for room and exterior wall renovation and is the solution that gets your property back in service quickly and at the lowest total cost. Choose the optional room cabinet to give the unit a brand new look and improve room aesthetics.

Options/Accessories:

- Heat Pump (consult factory)
•Blower/control box sections
•Electric heat or Hydronic heat
•Control options
•Motorized fresh air
•Cabinets
•Line Cord
•115V & 265/277V (availability varies by model size)

- \* Rust-Block corrosion protection system consists of:
•Heavy gauge galvanized steel construction with powder paint finished condenser & evaporator pans
•Galvanized or Aluminum Condenser Fan
•Stainless steel compressor and condenser motor studs
•Magnaguard and/or stainless steel screws and fasteners

Standard Features

- 1). Made in USA
2). Designed for easy installation & compatibility. Dimensionally identical to original American Air Filter- NelsonAire series 25 chassis. Replaces IslandAire & RetroAire chassis.
3). Exclusive Rust-Block corrosion protection
4). High efficiency PSC type fan motors w/built-in temperature protection
5). UL listed components and construction
6). Quiet, durable, and efficient compressor with built-in pressure & temperature protection
7). Heavy Gauge G60 galvanized steel construction with powder coat painted condenser & evaporator pans
8). High efficiency copper tube-aluminum fin evaporator and condenser coils
9). Centrifugal condenser fan for proven airflow performance
10). Condensate re-evaporation
11). High Pressure switch with manual reset
12). Frost free low ambient cooling\*
13). Electrostatic air filter
14). Chassis pull handle facilitates easy chassis removal & handling
15). Heat pump heating to 35°F outdoor\*\*
16). Capillary expansion. Thermostatic expansion valve (heat pumps)
17). Positive shift reversing valve (heat pumps)
18). Precision charged with R-22 refrigerant

\*Cooling operation locks-out at 34° F outdoor temperature and restarts @ 55° F. \*\*Actual temperature affected by relative humidity, solar effect, etc.



## 25 Dimensions and Specifications

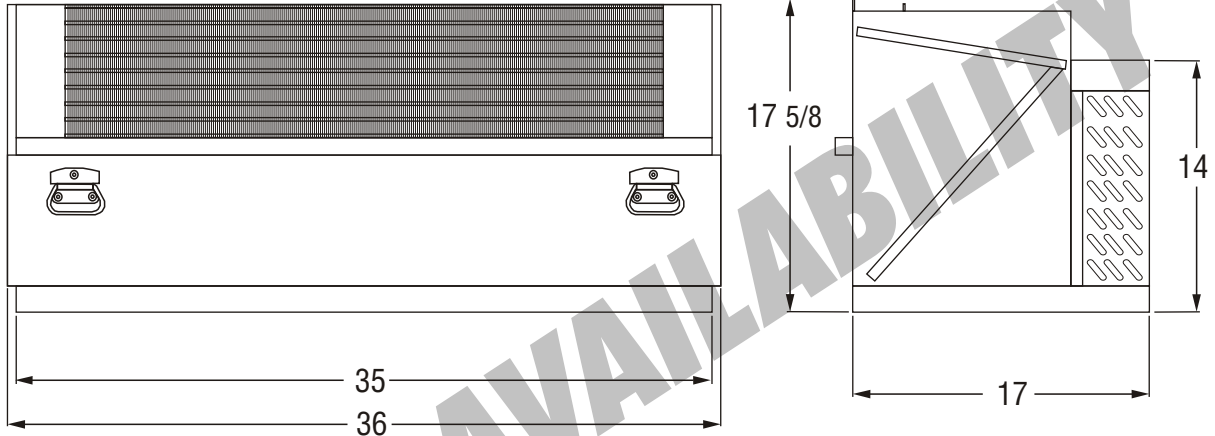
**Note:** Due to Cold Point Corporation's ongoing quality & product development programs, design and specifications may change. Always consult factory to verify the information provided here.

### DIMENSIONAL DETAIL '25'

**IMPORTANT!** Chassis must replace a unit of like capacity to assure proper **power supply**.

FRONT VIEW

SIDE VIEW



#### 25 CHASSIS ELECTRICAL RATINGS (1)

Model	Voltage/ HZ/Ph	Evap. Mtr. HP**	Evap. Mtr. Amps**	Cond. Mtr. HP	Cond. Mtr. Amps	Comp RLA	Comp LRA	TOTAL AMPS**	CKT AMPAC**	MAX FUSE	MIN. Volts	Line Cord*
25- 09	115/60/1	1/10	1.2	1/5	3.2	7.5	42.0	11.9	14	20	104	5-15P
25- 09	208/230/60/1	1/10	0.6	1/5	1.2	3.7	21.0	5.5	7	15	197	6-15P
25- 09	265/60/1	1/10	0.6	1/5	1.2	3.1	15.0	4.9	6	15	239	N/A
25- 12	115/60/1	1/10	1.2	1/5	3.2	9.9	56.0	14.1	17	25	104	5-20P
25- 12	208/230/60/1	1/10	0.6	1/5	1.2	5.0	24.0	6.8	9	15	197	6-15P
25- 12	265/60/1	1/10	0.6	1/5	1.2	4.2	20.0	6.0	8	15	239	N/A
25- 15	208/230/60/1	1/10	0.6	1/4	2.0	6.6	34.0	9.2	11	15	197	6-15P
25- 15	265/60/1	1/10	0.6	1/4	1.1	5.4	30.0	7.1	9	15	239	N/A

\*Line Cord Optional

\*\*w/optional Adirondack-Aire Blower Section

(1) If electric heat option is selected see Electric Heat Ratings Table: Total AMPS, Ampacity & Fuse size is the larger value.

#### NEMA Configurations Non Locking Plugs/Receptacles

Voltage	125V	250V	277V
15A Recp.	5-15R 	6-15R 	7-15R 
15A Plug	5-15P 	6-15P 	7-15P 
20A Recp.	5-20R 	6-20R 	7-20R 
20A Plug	5-20P 	6-20P 	7-20P 
30A Recp.	5-30R 	6-30R 	7-30R 
30A Plug	5-30P 	6-30P 	7-30P 

#### Electric Heat Ratings (optional)

Heater No. (wcu)	Volt	Watts	BTU/h	HTR Amps	Total HTR Amps	Min CKT Amps	Max. Fuse	Line Cord*
2	208	1,800	6,140	8.7	9.3	12.0	15	6-15P
	230	2,200	7,500	9.6	10.2	13.0	15	6-15P
	265	2,900	9,900	10.9	11.5	15.0	15	N/A
	277	3,190	10,900	11.5	12.1	15.0	15	N/A
3	208	2,450	8,350	11.8	12.4	16.0	20	6-20P
	230	3,000	10,200	13.1	13.7	17.0	20	6-20P
	265	4,000	13,640	15.1	15.7	20.0	20	N/A
	277	4,350	14,830	15.7	16.3	21.0	25	N/A
4	208	3,270	11,150	15.7	16.3	21.0	25	6-30P
	230	4,000	13,640	17.4	18.0	23.0	30	6-30P

\*Line Cord Optional

#### 25 PERFORMANCE TABLE (Tested in Accordance w/ARI)

Model	COMP	Cond. Fan Type/Air Direction	Cool BTUH	SENS BTUH	EER	CFM HI/ LO*
25- 09	Rotary	Centrifugal/ Blow Thru	9,300	8,300	9.1	440/330
25- 12	Rotary	Centrifugal/ Blow Thru	11,500	9,300	8.9	440/330
25- 15	Rotary	Centrifugal/ Blow Thru	15,000	12,000	8.5	550/400

\*Dry Coil Airflow w/optional Adirondack-Aire Blower Section

Model No.	Chassis Weight (lbs)
09	115
12	115
15	115