



**Vertical Packaged Terminal Air Conditioning (PTAC) for:
New Construction or Property Renovation**

For Sales assistance call, 877-782-2289 / 877-PTAC-BUY



MADE IN USA

Description:

Adirondack-Aire 'PIC' Series is a **vertical configuration thru-the-wall** air conditioning system or heat pump (PTAC/PTHP) for **new construction** or **property renovation**. This highly flexible design typically fits into the **corner of a room** and serves one or more **zones/rooms**. A complete system consists of the chassis, a wall sleeve with outdoor louver, factory or site built room cabinet with return air panel, wall thermostat, flex duct and supply air grille(s). The room cabinet may be either a **factory-supplied** floor to ceiling **steel cabinet** with powder coat finish or a **site built closet** with factory available return air/access panel. This design provides a barrier between the unit and room occupants thereby **minimizing sound levels**. The ducted air delivery system **maximizes**

comfort. Proven technology, quality components, careful design and testing, and the latest in reliability and efficiency advances assure long life, user satisfaction, and lower energy cost! Add to this features that include: **Rust-Block*** corrosion protection system, **slinger condenser fan**, evaporator **freeze protection**, and **evaporator fan post purge control.....** and *Adirondack-Aire* is the choice the competition can't match. *Cold Point Corp.* backs the 'PIC' with a customer friendly **one-year parts and labor** warranty and **five-year compressor** warranty, (see *Warranty* document for details). **Heat pumps** are available and include a **thermostatic expansion valve**, **compressor crankcase heater** and condenser **drain pan valve**. Heat pump heating is **single stage** operation. Manual fresh air damper is standard on all models. The standard 1" disposable fiberglass air filter is chassis mounted.

Application & Benefits:

The *Adirondack-Aire 'PIC'* series vertical PTAC/PTHP offers the **ease of installation, simplicity, and flexibility** of a PTAC but offers major advances for in room **quiet, comfort, and occupant satisfaction**. The conventional **wall thermostat control** eliminates confusing buttons and dials and improves **temperature control** and occupant comfort. A **slinger ring** condenser fan provides a **blow-thru** airflow pattern that re-evaporates condensate **eliminating** the need, cost, and maintenance of **internal drains**. The evaporator freeze protection stops unit operation **before damage occurs** should airflow become reduced or obstructed due to dirty coils, obstructed airflow, or motor failures or lock-up. Condensate **re-evaporation** and the *Rust-Block* system assure a **stain-free** building exterior. High efficiency compressors provide demonstrated **reliability** and **low sound** levels. The outdoor louver is an **architectural style** fabricated using **rust-free clear anodized aluminum** components. A round duct connection collar is provided for connection to flex duct (see illustration and dimensional detail). The standard manual fresh air damper introduces fresh air to the room.

Options/Accessories:

- Heat Pump
 - Room Cabinet with Powder Coat
 - Electric Heat
 - Chassis Stand
- Motorized Fresh Air
 - Return Air/ Access Panel
 - Wall Thermostat
 - Internal Drain
- Wall Sleeves
 - Louvers
 - Control Options
 - Line Cord

* **Rust-Block** corrosion protection system consists of:
•Heavy gauge G90 rated **galvanized steel** construction

•Plastic or Aluminum Condenser Fan
•Stainless steel compressor and condenser motor studs

•Powder painted drain pan
•*Magnaguard* and/or stainless steel screws and fasteners

Standard Features

- 1). Made in USA
- 2). Designed for easy installation & minimum footprint
- 3). Exclusive **Rust-Block corrosion protection**
- 4). High efficiency PSC type fan motors w/built-in temperature protection
- 5). ETL APPROVED
- 6). Quiet, durable, and efficient compressor with built-in pressure & temperature protection
- 7). Heavy Gauge G90 galvanized steel construction
- 8). Manual Fresh Air Damper
- 9). High efficiency copper tube-aluminum fin evaporator and condenser coils
- 10). Slinger ring axial condenser fan
- 11). Chassis mounted disposable 1" fiberglass air filter
- 12). Condensate re-evaporation
- 13). Evaporator fan post purge control
- 14). Frost free low ambient cooling*
- 15). Refrigerant circuit access ports
- 16). Heat pump heating to 35°F outdoor** (single stage)
- 17). Capillary expansion. Thermostatic expansion valve (heat pumps)
- 18). Positive shift reversing valve (heat pumps)
- 19). Suction Accumulator (heat pump)
- 20). Precision charged with R-22 refrigerant
- 21). Compressor crankcase heater (heat pumps)
- 22). Built in anti- short cycle timer (heat pumps)

*Cooling operation locks-out at 34° F outdoor temperature and restarts @ 55° F. **Actual temperature affected by relative humidity, solar effect, etc.



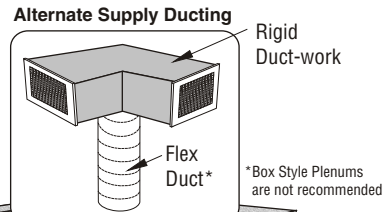
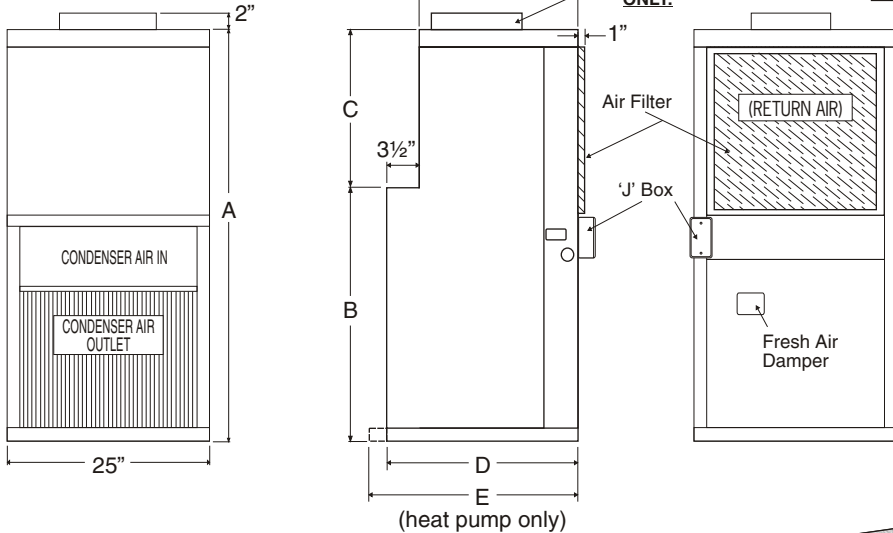
PIC Dimensions and Specifications

Note: Due to Cold Point Corporation's ongoing quality & product development programs, design and specifications may change. Always consult factory to verify the information provided here.



DIMENSIONAL DETAIL 'PIC'

MODEL	A	B	C	D	E	F	G	Filter Size
PIC- 09/12/15	40	25	15	20	21	16.5	9"	15 X 24 3/4
PIC- 18/24	52	32	20	25	26.5	21.5	12"	18 X 24 3/4

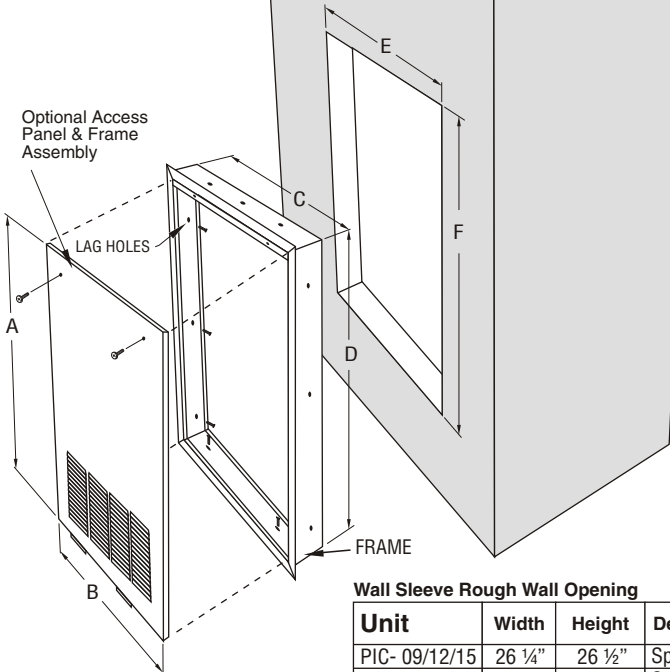


Note: For proper air flow
Minimum spacing between the
inside closet wall & unit air intake.
09, 12, 15= 4"
18, 24= 6"

Access Panel* Dimensions

MODEL	A	B	C	D	E	F
PIC 09/12/15	50	30	27 3/4	47 3/4	28	48
PIC 18/24	62	30	27 3/4	59 3/4	28	60

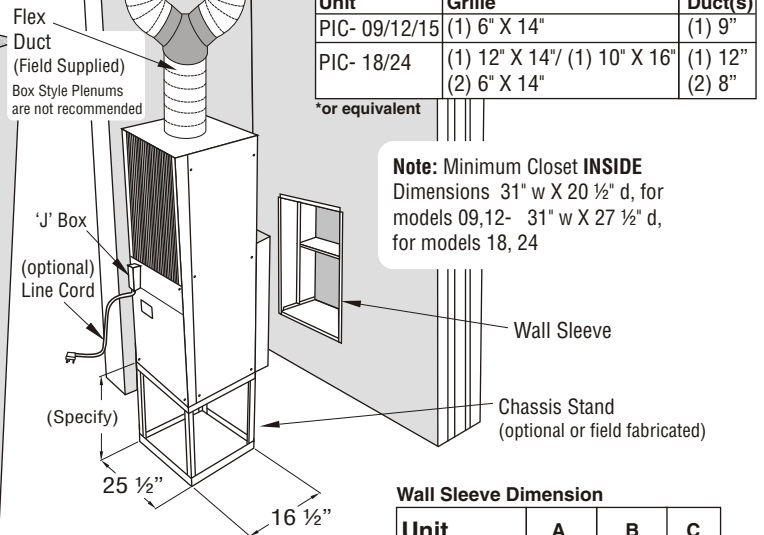
*STD. color is light beige. Custom colors available.



Wall Sleeve Rough Wall Opening

Unit	Width	Height	Depth*
PIC- 09/12/15	26 1/4"	26 1/2"	Specify
PIC- 18/24	26 1/4"	33 1/2"	Specify

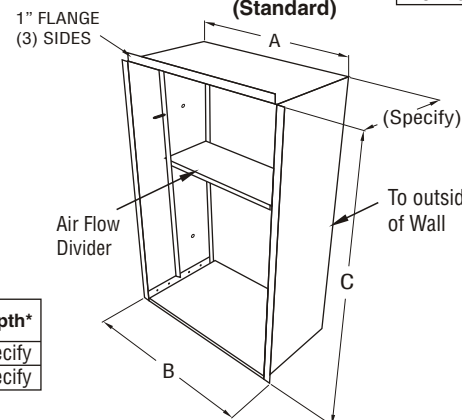
*STD. is 10" wall depth



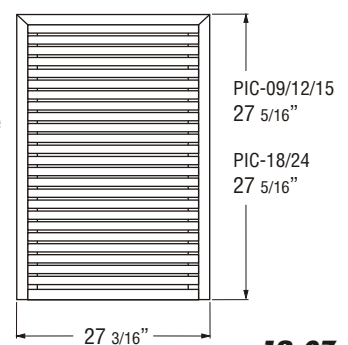
Wall Sleeve Dimension

Unit	A	B	C
PIC- 09/12/15	25 3/4"	27 3/4"	26"
PIC- 18/24	25 3/4"	27 3/4"	33"

Wall Sleeve (Standard)



Exterior Louver with Frame





PIC Dimensions and Specifications

Note: Due to Cold Point Corporation's ongoing quality & product development programs, design and specifications may change. Always consult factory to verify the information provided here.

PIC PERFORMANCE TABLE (Tested in Accordance w/ARI)

Model	COMP	Cond. Fan Type/Air Direction	Cool BTUH	Sens. BTUH	EER	Heat Pump Cool BTUH	Heat Pump Sens BTUH	EER	Heat Pump Heat BTUH	COP	CFM* (nominal)
PIC-09	Rotary	Axial/ Blow Thru	8,900	6,500	9.3	8,700	6,400	9.1	9,100	3.25	280
PIC-12	Rotary	Axial/ Blow Thru	11,600	8,200	9.4	11,400	8,100	9.3	11,400	3.58	300
PIC-15	Rotary	Axial/ Blow Thru	15,500	12,000	8.7	15,100	11,900	8.5	15,100	3.38	400
PIC-18	Rotary	Axial/ Blow Thru	18,000	13,100	9.2	17,600	12,900	9.1	17,800	3.40	510
PIC-24	Recip.	Axial/ Blow Thru	22,000	16,500	8.2	21,600	16,300	8.1	21,600	3.20	600

*Dry Coil Airflow

PIC ELECTRICAL DATA (1)

Model	Voltage/ HZ/Ph	Evap. Mtr. HP	Evap. Mtr. Amps	Cond. Mtr. HP	Cond. Mtr. Amps	Comp RLA	Comp LRA	TOTAL AMPS	CKT AMPACITY	MAX FUSE	MIN. Volts	Line Cord*
PIC-09	115/60/1	1/25	1.1	1/10	1.4	7.5	42.0	10.0	12	15	104	5-15P
PIC-09	208/230/60/1	1/25	0.47	1/10	0.8	3.7	21.0	5.0	6	15	197	6-15P
PIC-09	265/60/1	1/25	0.42	1/10	0.8	3.1	15.0	4.4	6	15	239	N/A
PIC-12	115/60/1	1/25	1.1	1/10	1.4	9.9	56.0	12.4	15	25	104	5-20P
PIC-12	208/230/60/1	1/25	0.47	1/10	0.8	5.0	24.0	6.3	8	15	197	6-15P
PIC-12	265/60/1	1/25	0.42	1/10	0.8	4.2	20.0	5.5	7	15	239	N/A
PIC-15	208/230/60/1	1/10	0.6	1/4	1.6	6.6	34.0	8.8	11	15	197	6-15P
PIC-15	265/60/1	1/10	0.6	1/4	1.6	5.4	30.0	7.6	9	15	239	N/A
PIC-18	208/230/60/1	1/10	0.6	1/4	1.6	7.5	42.0	9.7	12	15	197	6-15P
PIC-18	265/60/1	1/10	0.6	1/4	1.6	6.6	35.0	8.8	11	15	239	N/A
PIC-24	208/230/60/1	1/5	1.2	1/4	1.6	9.6	61.0	12.4	15	20	197	6-15P
PIC-24	265/60/1	1/5	1.2	1/4	1.6	8.3	58.0	11.1	14	20	239	N/A

*Line Cord Optional (N/A 265V)

(1) If electric heat option is selected Total AMPS, Ampacity, Fuse size, & Line Cord is found in the electric heat table



12-07



PIC Dimensions and Specifications

Note: Due to Cold Point Corporation's ongoing quality & product development programs, design and specifications may change. Always consult factory to verify the information provided here.

PIC Series Electrical Heat Specifications

Heater No.	Volt	Watts	BTU/h	HTR Amps	Total HTR Amps	Min CKT Amps	Max. Fuse	Line Cord*	Application
2	208	1,700	5,800	8.2	8.7	11	15	6-15P	PIN- 09,12
	208	1,700	5,800	8.2	8.8	11	15	6-15P	PIN- 15,18
	230	2,070	7,050	9.0	9.5	12	15	6-15P	PIN- 09,12
	230	2,070	7,050	9.0	9.6	12	15	6-15P	PIN- 15,18
	265	2,750	9,365	10.4	10.9	14	15	N/A	PIN- 09,12
	265	2,750	9,365	10.4	11.0	14	15	N/A	PIN- 15,18
	277	3,000	10,230	11.4	11.9	15	15	N/A	PIN- 09,12
	277	3,000	10,230	11.4	12.0	15	15	N/A	PIN- 15,18
3	208	2,255	7,690	10.9	11.4	14	15	6-20P	PIN- 09,12
	208	2,255	7,690	10.9	11.5	15	15	6-20P	PIN- 15,18
	230	2,760	9,410	12.0	12.5	16	20	6-20P	PIN- 09,12
	230	2,760	9,410	12.0	12.6	16	20	6-20P	PIN- 15,18
	265	3,660	12,480	13.8	14.3	18	20	N/A	PIN- 09,12
	265	3,660	12,480	13.8	14.4	18	20	N/A	PIN- 15,18
	265	3,660	12,480	13.8	15.0	19	20	N/A	PIN- 24
	277	4,000	13,640	14.5	15.0	19	20	N/A	PIN- 09,12
	277	4,000	13,640	14.5	15.1	19	20	N/A	PIN- 15,18
	277	4,000	13,640	14.5	15.7	20	20	N/A	PIN- 24
4	208	3,000	10,230	14.5	15.0	19	20	6-20P	PIN- 09,12
	208	3,000	10,230	14.5	15.1	19	20	6-20P	PIN- 15,18
	208	3,000	10,230	14.5	15.7	20	20	6-20P	PIN- 24
	230	3,675	12,530	16.0	16.5	21	20	6-20P	PIN- 09,12
	230	3,675	12,530	16.0	16.6	21	20	6-20P	PIN- 15,18
	230	3,675	12,530	16.0	17.2	22	25	6-20P	PIN- 24
	265	4,880	16,640	18.5	19.1	24	25	N/A	PIN- 15,18
	265	4,880	16,640	18.5	19.7	25	25	N/A	PIN- 24
	277	5,330	18,175	19.3	19.9	25	25	N/A	PIN- 15,18
5	208	3,700	12,620	17.8	18.4	23	25	6-30P	PIN- 15,18
	208	3,700	12,620	17.8	19.0	24	25	6-30P	PIN- 24
	230	4,520	15,415	19.7	20.3	26	25	6-30P	PIN- 15,18
	230	4,520	15,415	19.7	20.9	26	25	6-30P	PIN- 24
	265	6,000	20,460	22.7	23.3	29	30	N/A	PIN- 18
	265	6,000	20,460	22.7	23.9	30	30	N/A	PIN- 24
	277	6,560	22,370	23.7	24.3	31	30	N/A	PIN- 18
	277	6,560	22,370	23.7	24.9	31	30	N/A	PIN- 24
7.5	208	7,500	25,575	36.1	37.3	46.6	45	N/A	PIN- 24

*Line Cord Optional

NEMA Configurations

Non Locking Plugs/Receptacles

Voltage	125V	250V	277V
15A Recp.	5-15R 	6-15R 	7-15R
15A Plug	5-15P 	6-15P 	7-15P
20A Recp.	5-20R 	6-20R 	7-20R
20A Plug	5-20P 	6-20P 	7-20P
30A Recp.	5-30R 	6-30R 	7-30R
30A Plug	5-30P 	6-30P 	7-30P

Model No.	Chassis Weight (lbs)
09	140
12	140
15	140
18	145
24	145



12-07