

# EZ Series LM

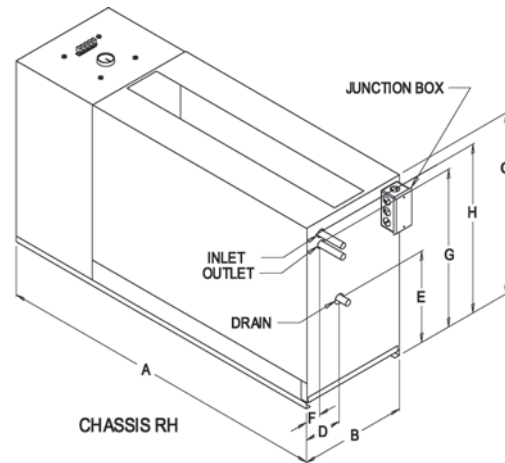
## Console Water Source Heat Pump Replaces McQuay and Singer

Islandaire “The Perfect Fit” units are designed to exactly replace the original, existing chassis! No field modification kits or builder renovations are required. Islandaire units are designed for optimal efficiency and reliability. This unit has the ability to have the piping and the controls “reversed” in the field. If you order the wrong side for piping and controls, no problem. Just reverse them in the field saving time and money.

This appliance is intended for new construction or replacement of McQuay and Singer LM water source heat pumps. Please confirm that the electrical rating of this appliance matches the electrical supply available before beginning installation.

### Features on the EZ Series LM:

- Proudly made in the U.S.A
- Left hand piped, right hand controls, can be field reversed
- Superior energy efficient ratios (EER)
- High efficiency coaxial condenser coil
- High efficiency evaporator coil
- Commercial duty construction with heavy gauge galvanized steel
- High pressure protection
- Compressor and water circuit freeze protection
- Refrigerant circuit access ports



Series	Cooling BTU	A	B	C	D	E	F	G	H
LM	07, 09, 12	37.82	12.00	20.50	04.25	10.43	01.66	17.89	19.15

Component  
EZ - Cooling Chassis

Cooling Capacity  
07 - 7,500 BTUH  
09 - 9,500 BTUH  
12 - 12,000 BTUH

System Type  
B - Heat Pump R410a

Voltage/Line Cord  
4 - 230v Junction Box  
6 - 115v Junction Box  
8 - 277v Junction Box

Functional Options  
A- None

Functional Option Codes  
A- A

Return/Discharge Options  
I - Bot. Ret./Top Dis.

Identity Code  
0 - Special  
4 - Standard

**EZ 12 B 4 LM A 1 A I 4 A A**

Heating Options  
A - None

Hydronic Options  
I - None

Room Controls  
A - Unit Mounted Controls (MCO)  
B - Unit Mounted Controls (ACO)  
C - 24v Remote Thermostat (MCO)  
N - Std Electronic Controls Remote T-stat  
S - Std Electronic Controls

Power Mgt. Options  
A- None  
C- Energy Mgt. N/O  
D- Energy Mgt. N/C  
E- Emerg. Power 115V  
F- Emerg. Power 230V  
G- Emerg. Power 277V

Power Mgt. Codes  
A- A U- DE  
P- C V- DF  
Q- CE W- DG  
R- CF X- E  
S- CG Y- F  
T- D Z- G

\*Codes are entered into model number.

# EZ Series LM



*Slide the old LM unit out, slide "The Perfect Fit" Islandaire unit in! No Renovations!*

## MODELS

	EZ07				EZ09				EZ12				EZ15			EZ18		
VOLTS	115	230	208	277	115	230	208	277	115	230	208	277	—	—	—	—	—	—
BTUH COOLING	8,100	8,100	7,900	8,100	9,300	9,300	9,100	9,300	12,200	12,200	12,000	12,200	—	—	—	—	—	—
AMPS	6.3	3.4	3.5	3.2	8.8	4.4	4.5	3.8	10.3	6.2	6.5	5.0	—	—	—	—	—	—
WATTS COOLING	575	575	535	575	691	691	661	691	897	897	867	897	—	—	—	—	—	—
EER	14.0	14.0	14.0	14.0	13.5	13.5	13.5	13.5	13.6	13.6	13.6	13.6	—	—	—	—	—	—
CFM HIGH	420	420	410	420	420	420	410	420	460	460	450	460	—	—	—	—	—	—
CFM LOW	280	280	270	280	280	280	270	280	320	320	310	320	—	—	—	—	—	—
BTUH HEATING	9,600	9,600	9,580	9,600	12,000	12,000	11,800	12,000	15,000	15,000	14,800	15,000	—	—	—	—	—	—
WATTS HEATING	610	610	600	610	771	771	751	771	953	953	933	953	—	—	—	—	—	—
C.O.P.	4.6	4.6	4.6	4.6	4.5	4.5	4.5	4.5	4.6	4.6	4.6	4.6	—	—	—	—	—	—
G.P.M.	2.0	2.0	2.0	2.0	2.0	2.0	2.0	2.0	3.0	3.0	3.0	3.0	—	—	—	—	—	—

Note: Data based on ARI Standard 320

Cooling - Entering Air - 80 deg. F DB \67 DEG. F WB

- Entering Water - 85 deg. F

Heating - Entering Air - 70 deg. F DB

- Entering Water - 70 deg. F

Line Voltage	Maximum Amperage	Wall Socket Configuration	Receptacle Number
115	16		NEMA 5-20R
208/230	16		NEMA 6-20R
208/230	24		NEMA 6-30R
277	16		NEMA 7-20R
208/230	12		NEMA 6-15R

