

# Certified Drawing

MHC-MHW-FT-HS-L-015 Specs

The Water Source Heat Pump product represented on this document will conform to the drawings and specifications set out below, in accordance with the express, written Limited Warranty. Purchaser's acceptance of this drawing certifies that the conforming equipment meets the order specifications. No changes may be made to this document without the prior, express, written authorization of the manufacturer.

Group: **WSHP**

Type: **Console**

Date: **June 2010**

## Console Water Source Heat Pump – Flat Top Unit, High Sill, Left Hand Models MHC/MHW – Unit Size 015

**Cabinets** – Selectable flat top or slope top cabinet configuration with multiple grille options. Individual panels- top, front and end panels are designed for easy removal and provides easy access to unit components for service and maintenance.

**Compressor** - High efficiency rotary type, using R-410A refrigerant with zero ozone depletion potential or phase-out date.

**Gentleflo™ Fan** – User selectable, multi-speed tangential fan system provides high efficiency and very quiet operation suitable for noise sensitive applications.

**LED Annunciator** – LED status lights display fault conditions to provide easy troubleshooting and diagnosis. Accessed by removing the left or right end panel to the control enclosure.

**Filter**– Units come standard with a 1/2" (12.7mm) thick disposable filter that is easy to access and replace without removing panels.

**Hinged Control Box**– Provides added accessibility to plumbing end compartment for easier access for service.

**MicroTech® III Unit Controller** – Designed for flexibility, the main control board is used in standalone applications. An optional I/O expansion module can be used to control electric heat and multiple fan speeds. A separate LONWORKS® or BACnet® communication module can be easily snapped onto the board to accommodate the building automation system of your choice.

**Double-Sloped Drain Pan** – Made of durable, non-corrosive polymer, promotes positive condensate drainage for superior Indoor Air Quality (IAQ). Drain Pan is easy to remove for cleaning.

**Air Dampers (Field-installed Accessory)** – Motorized or manually operated outside air dampers provide ventilation air.

**Unit Flexibility**– Selectable for standard (boiler/tower) or extended range (geothermal) applications to achieve the highest efficiency for your application requirements.

### Options (Factory Installed)

#### Indoor Air Quality (IAQ)

Non-Fibrous Insulation - Closed-cell type (Rubatex)

#### Controls

MicroTech™ III Unit Controller - Standalone operation

LONWORKS® Communication Module

BACnet® Communication Module

#### Warranty

Ext. 4-Yr. Parts (Compressor Only)

Ext. 4-Yr. Parts (Refrigerant Circuit)

#### 2-Way Motorized Valve Packages (Option)

Factory-installed or field-installed accessory for variable pumping applications. Other valve options available upon request.

#### Extended End Pocket (Option)

Selectable end pocket provides 11" of additional area inside the left or right hand end of the unit for piping, or a field-installed pump.

#### Multi-Directional Grilles (Option)

Selectable plastic Multi-Directional Grilles can rotate 90, 180 or 270 degrees for added control of discharge air direction.

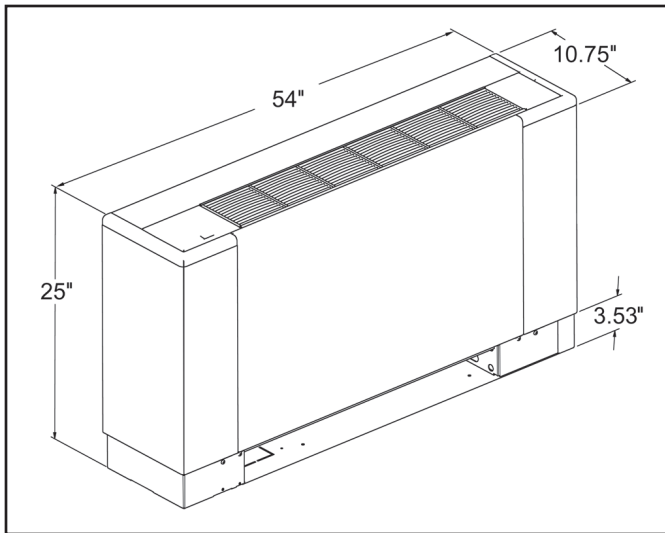
### Physical Data

Unit Size	015
Fan Wheel - D x W (In.)	4 $\frac{3}{8}$ x 35 $\frac{7}{16}$
Fan Motor Horsepower	1/18
Coil Face Area (Sq. Ft.)	2.22
Coil Rows	2
Refrigerant Charge (Oz.)	29.9
Filter, (Qty.) Size (Nominal)	(1) 37 $\frac{1}{4}$ W x 9 $\frac{3}{4}$ D
Water Connections, Female NPT (In.)	5/8 O.D.
Condensate Connections, Female NPT (In.)	3/4 I.D.
Weight, Operating (Lbs.)	166
Weight, Shipping (Lbs.)	196

# Flat Top Unit, High Sill, Left Hand Piping – Size 015

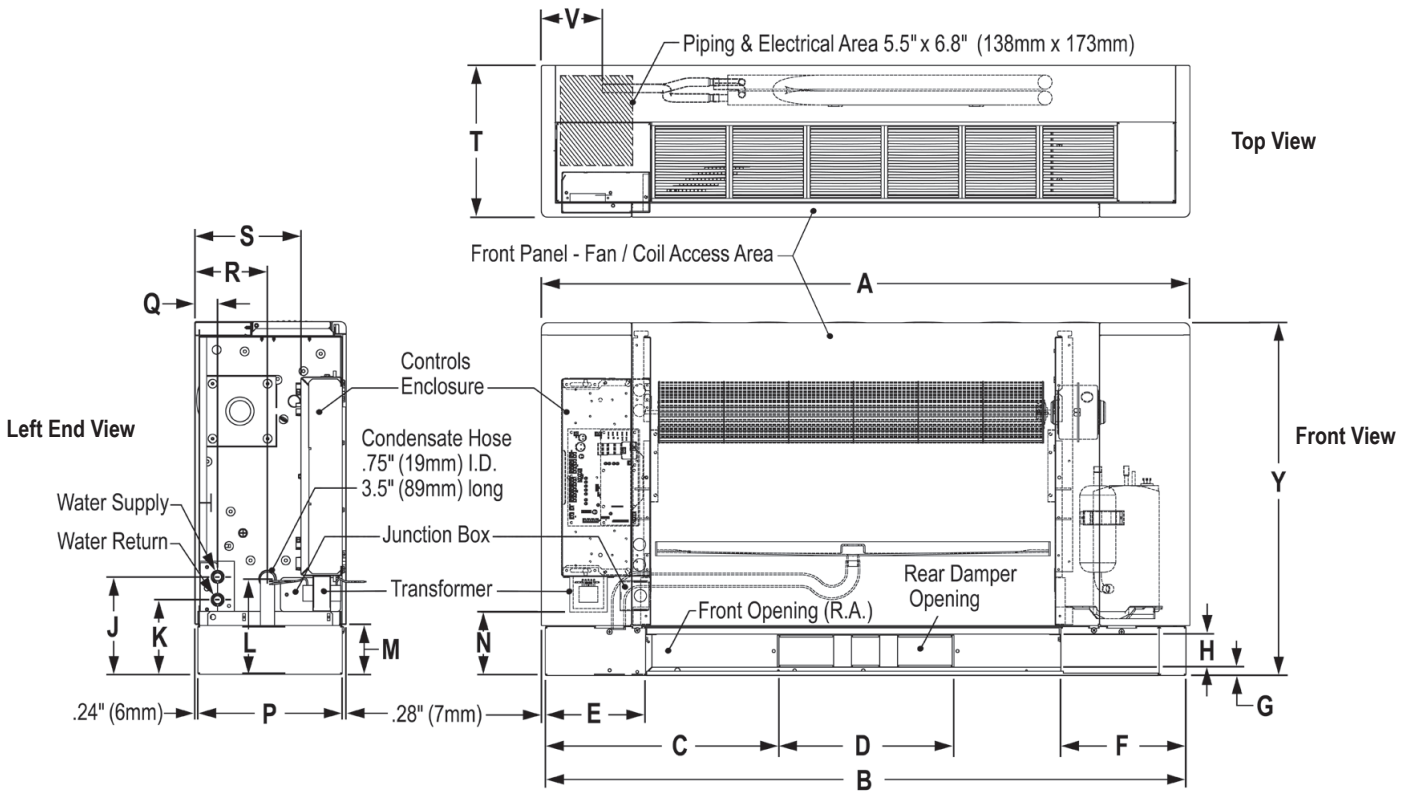
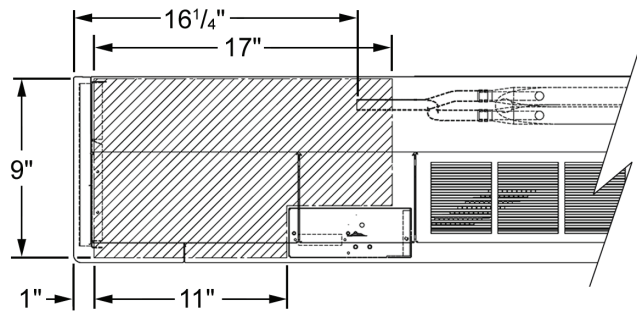
Left and right hand piping determined by facing the front of the unit.

Overall Unit Dimensions: 25"H × 54"W × 10¾"D



## Extended End Pocket (Option) – Dimensions

Overall Unit Dimensions with Extended End Pocket: 25"H × 66"W × 10¾"D



## Dimensions

Unit Size	A	B	C	D	E	F	G	H	J	K	L	M
015	54" (1372mm)	53⅜" (1356mm)	20½" (519mm)	12½" (318mm)	7" (181mm)	8⅞" (225mm)	0.6" (14mm)	2¼" (57mm)	6⅞" (175mm)	5⅛" (132mm)	6¾" (172mm)	3½" (90mm)
	N	P	Q	R	S	T	V	Y				
4¼"	10¼" (260mm)	1⅜" (41mm)	5¼" (134mm)	7½" (192mm)	10¾" (273mm)	4⅞" (118mm)	25" (635mm)					

