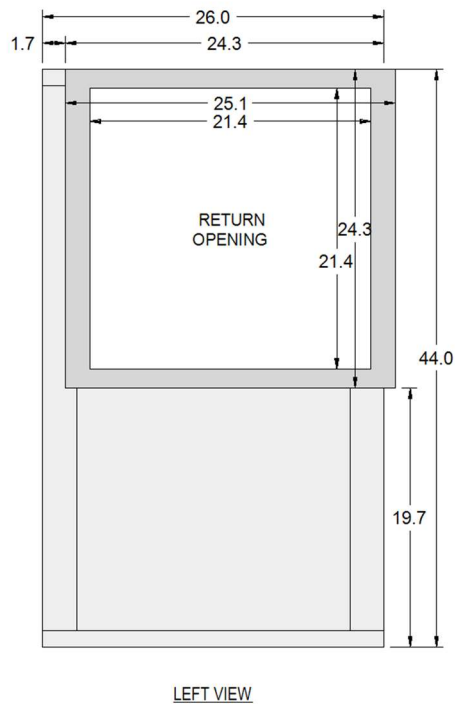
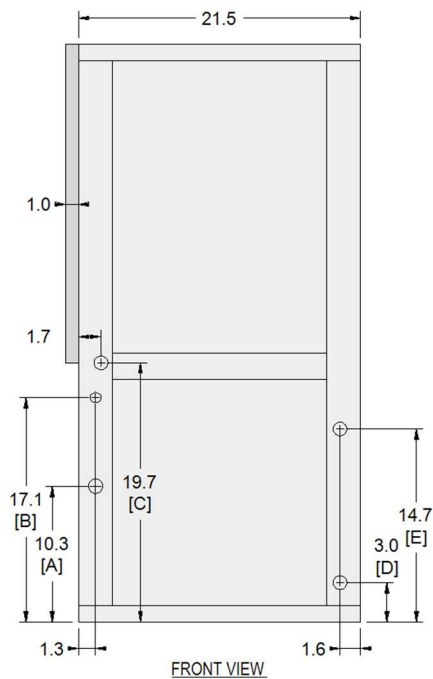
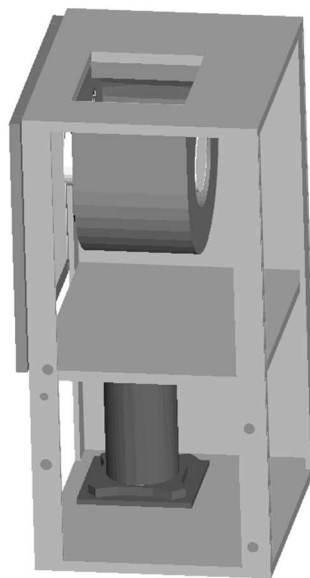
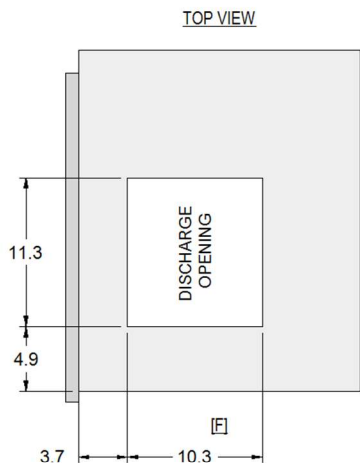


3/4 VIEW - LEFT HAND RETURN UNIT



NOTES		
[A] - High Volt Pwr Entry 1.1 DIA	[B] - Low Volt Pwr Entry 0.8 DIA	[C] - Condensate Drain 3/4" FPT
[D] - Supply Water 3/4" FPT	[E] - Return Water 3/4" FPT	[F] - Unit Front Service Clearance 24

Product Drawing	Unit Tag: WSHP2Tier 003			
Product:	Project Name: WSHP			
Model: 910176816	Sales Office: Daikin Tools Engineer			13600 Industrial Park Blvd. Minneapolis, MN 55441
Sales Engineer: Larry Scharber	July 07, 2021	Ver/Rev:	Sheet 1 of 1	www.DaikinApplied.com Software Version: 09.90
No change to this drawing may be made unless approved in writing by Daikin Applied. Purchaser must determine that the equipment is fit and sufficient for the job specifications.				Scale: NTS Tolerance: +/-0.25" Dwg Units: (in)