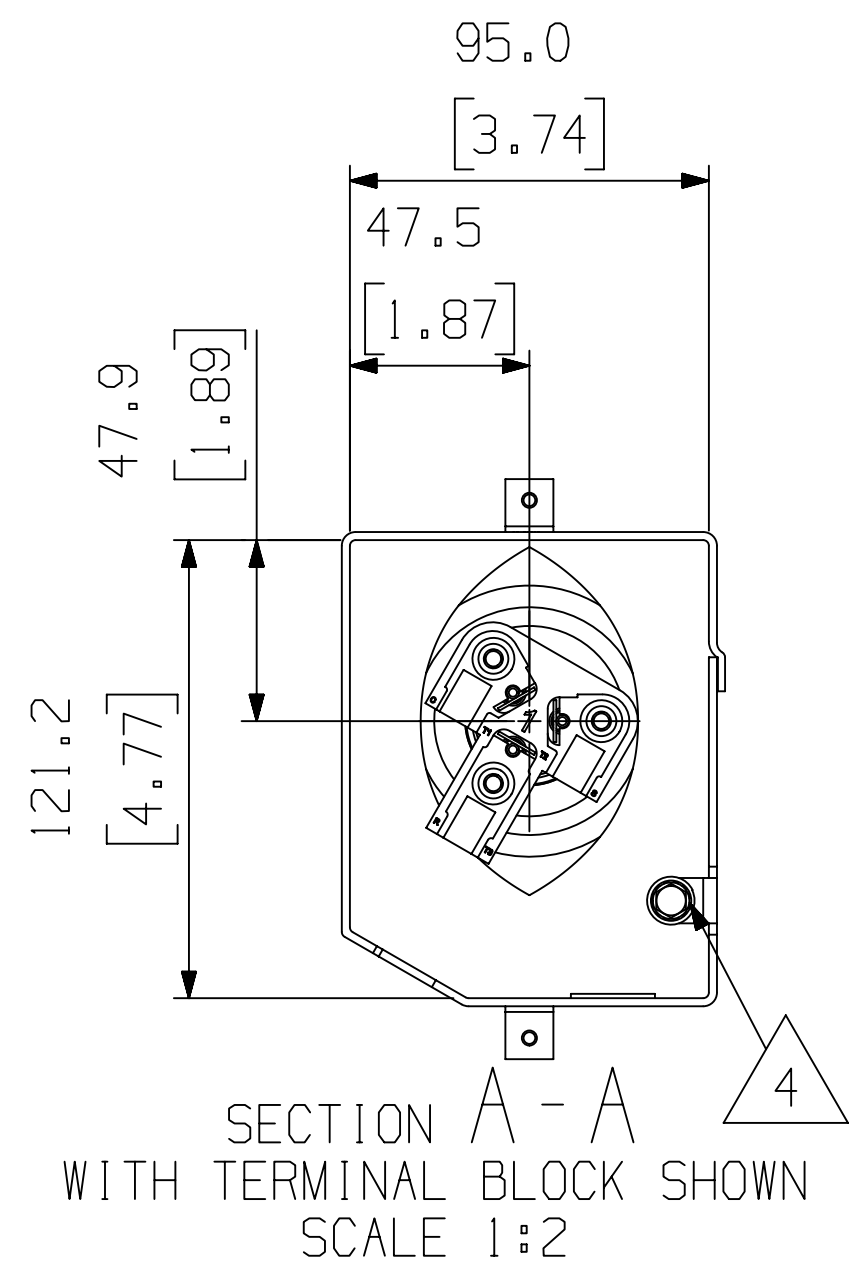
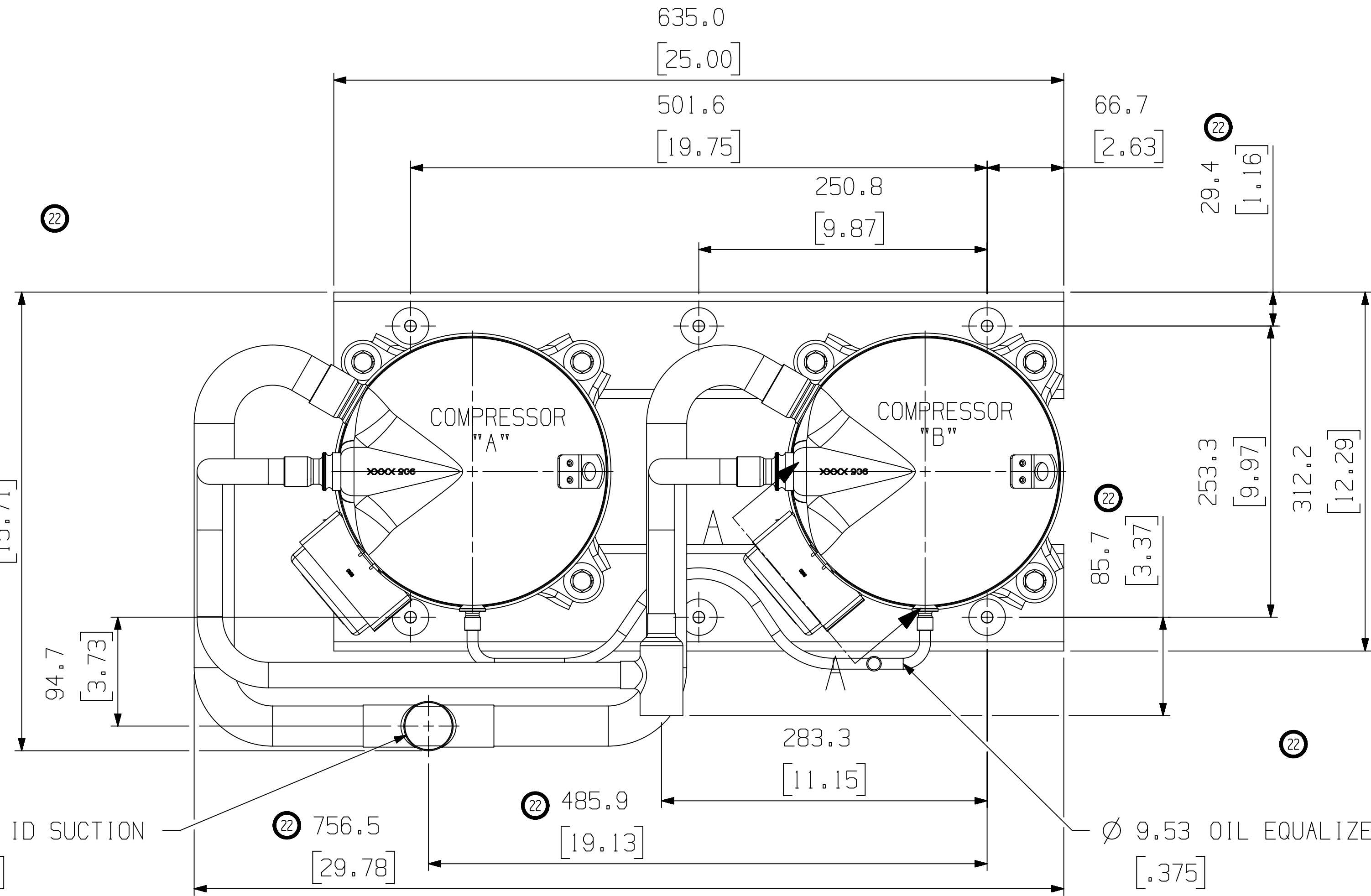
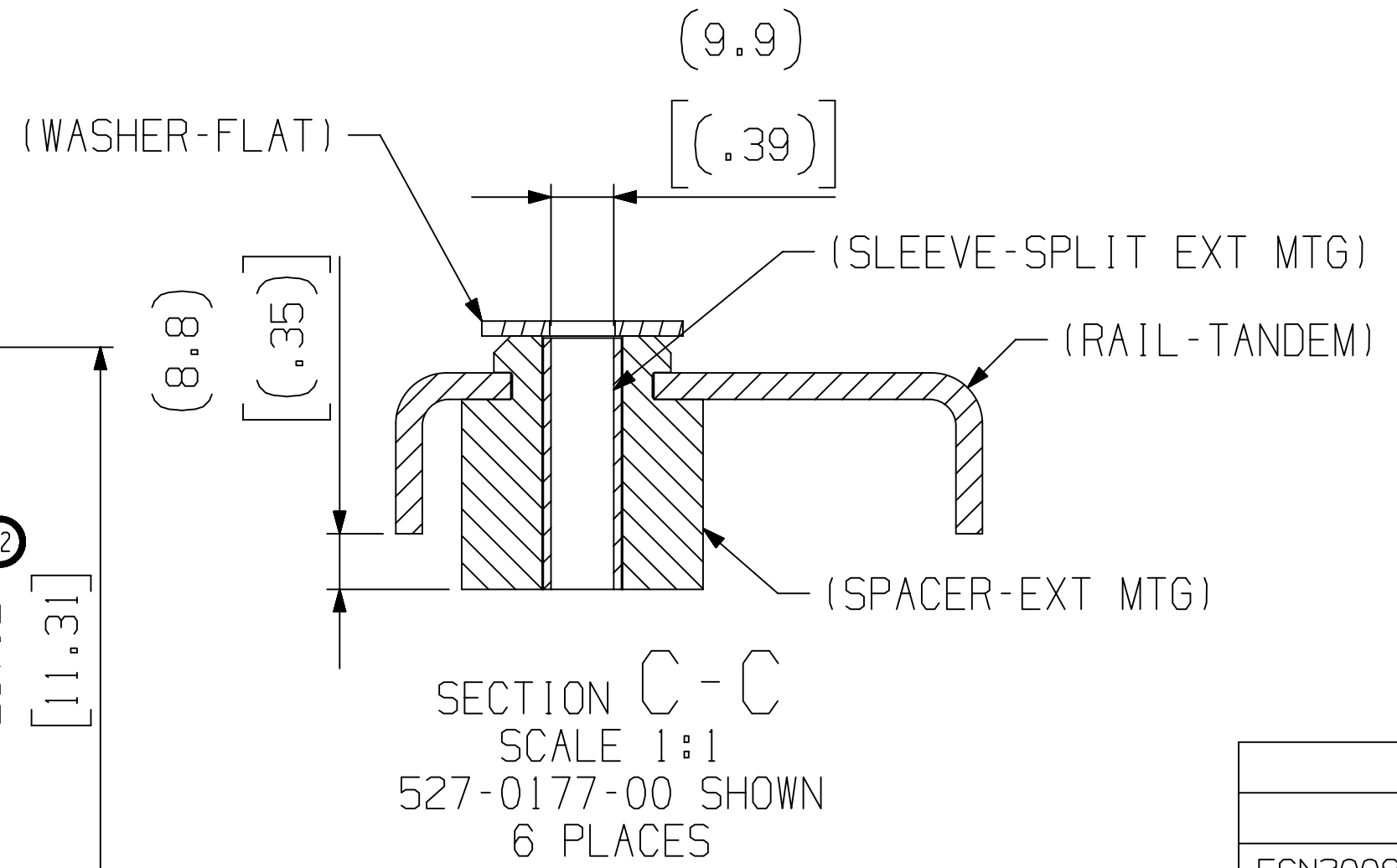
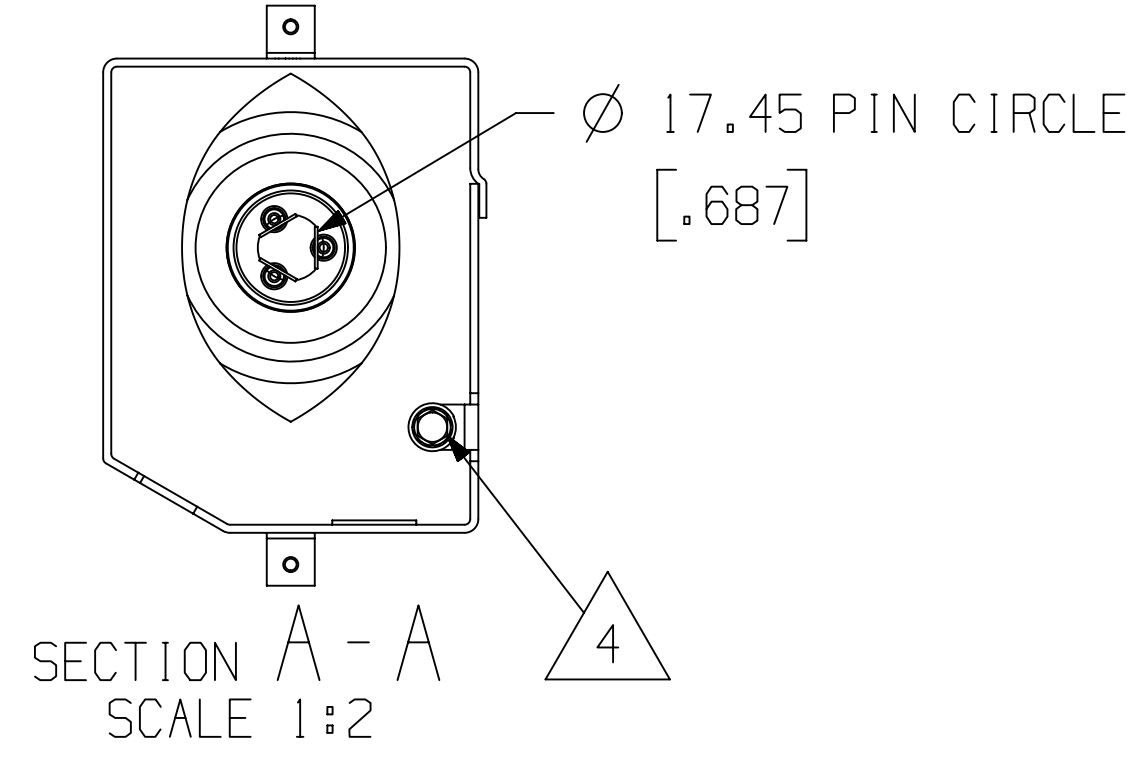
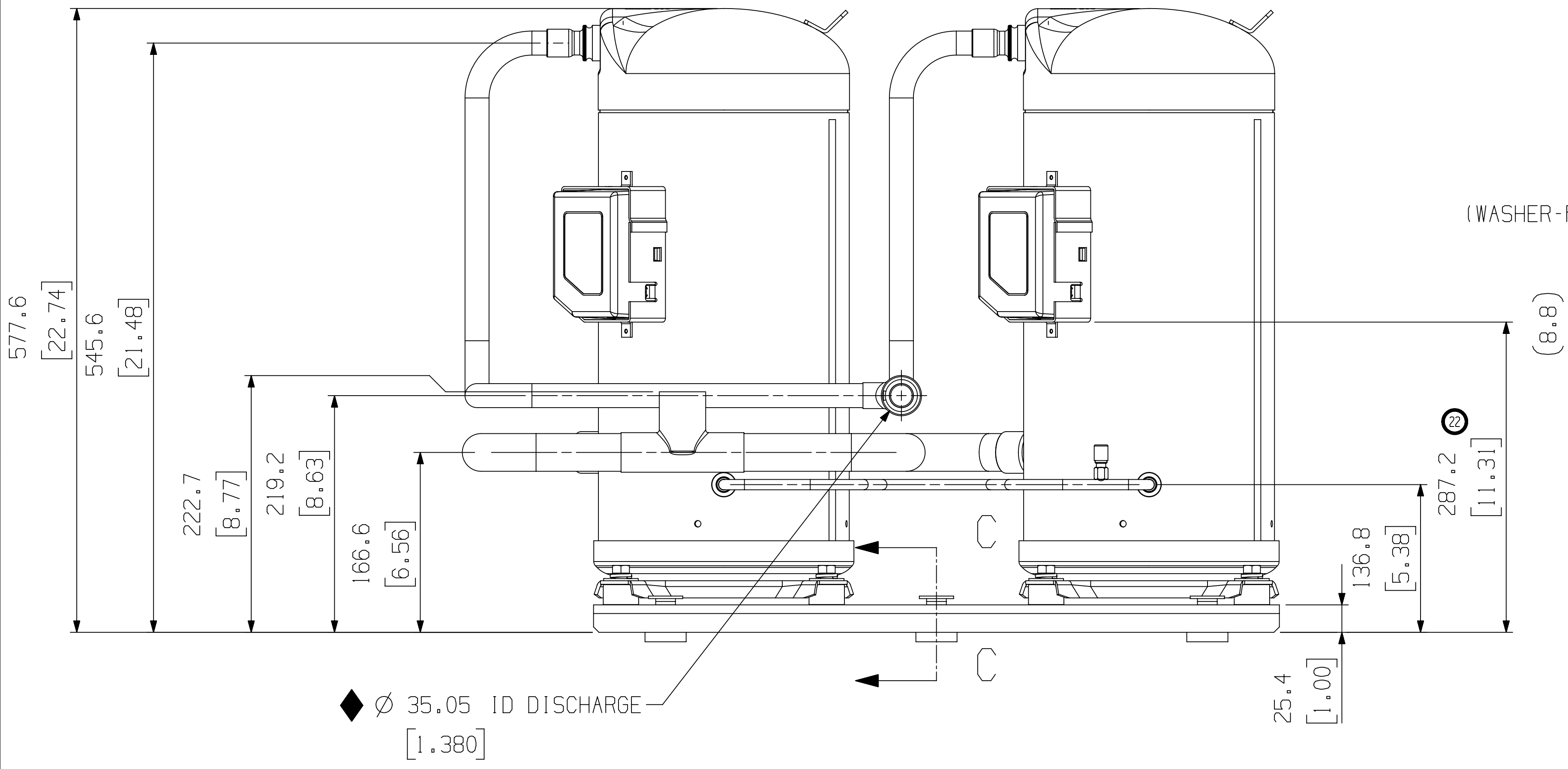


|              |
|--------------|
| MODEL NUMBER |
| ZPT206K      |
| ZRT216K      |
| ZPT240K      |
| ZRT250K      |
| ZPT274K      |
| ZRT288K      |

| SPECIFICATIONS |                   |
|----------------|-------------------|
| ES NO.         | DESCRIPTION       |
| ES92-155       | CONVERSION-METRIC |



- NOTES:
- 1 ALL TOLERANCES ± 1.5 [0.06] UNLESS OTHERWISE SPECIFIED
  - DUE TO ACCUMULATED ASSEMBLY TOLERANCES THE LISTED COMPONENTS MAY VARY FROM THE MOUNTING HOLES AS TABULATED.
  - ◆ SUCTION FITTING: ± 3.0 [0.12]
  - ◆ DISCHARGE FITTING: ± 3.0 [0.12]
  - 2. MOUNTING KIT :527-0177-00
  - 3. TUBE ENDS MUST BE PLUGGED.
  - 4 GROUNDING SCREW AND WASHER PER BOM



COMPRESSOR WIRING DIAGRAM  
THREE PHASE MOTOR WITH  
INTERNAL PROTECTION

USE COPPER CONDUCTORS ONLY. USE THIS ON A GROUNDED SYSTEM ONLY. USE MINIMUM 75° C WIRE FOR AMPACITY. DETERMINATION. INTERNAL MOTOR PROTECTION-ALLOW TIME FOR RESET. PRIMARY SINGLE PHASE FAILURE PROTECTION IS PROVIDED. CRANKCASE HEATER, WHEN APPLIED, MUST BE CONNECTED ONLY TO ITS RATED VOLTAGE. OVERCURRENT PROTECTION DEVICE RATING AND TYPE MUST BE IN ACCORDANCE WITH REGULATORY AGENCY END PRODUCT APPROVALS - SEE SYSTEM NAMEPLATE. TO CORRECT IMPROPER MOTOR ROTATION, SWITCH ANY TWO SUPPLY LINES.

MOTOR WINDING CONNECTION



INTERPRET PER ASME Y14.5M-1994 AND EMERSON CLIMATE TECHNOLOGIES, INC. DESIGN STANDARDS DS2002

DO NOT SCALE DRAWING

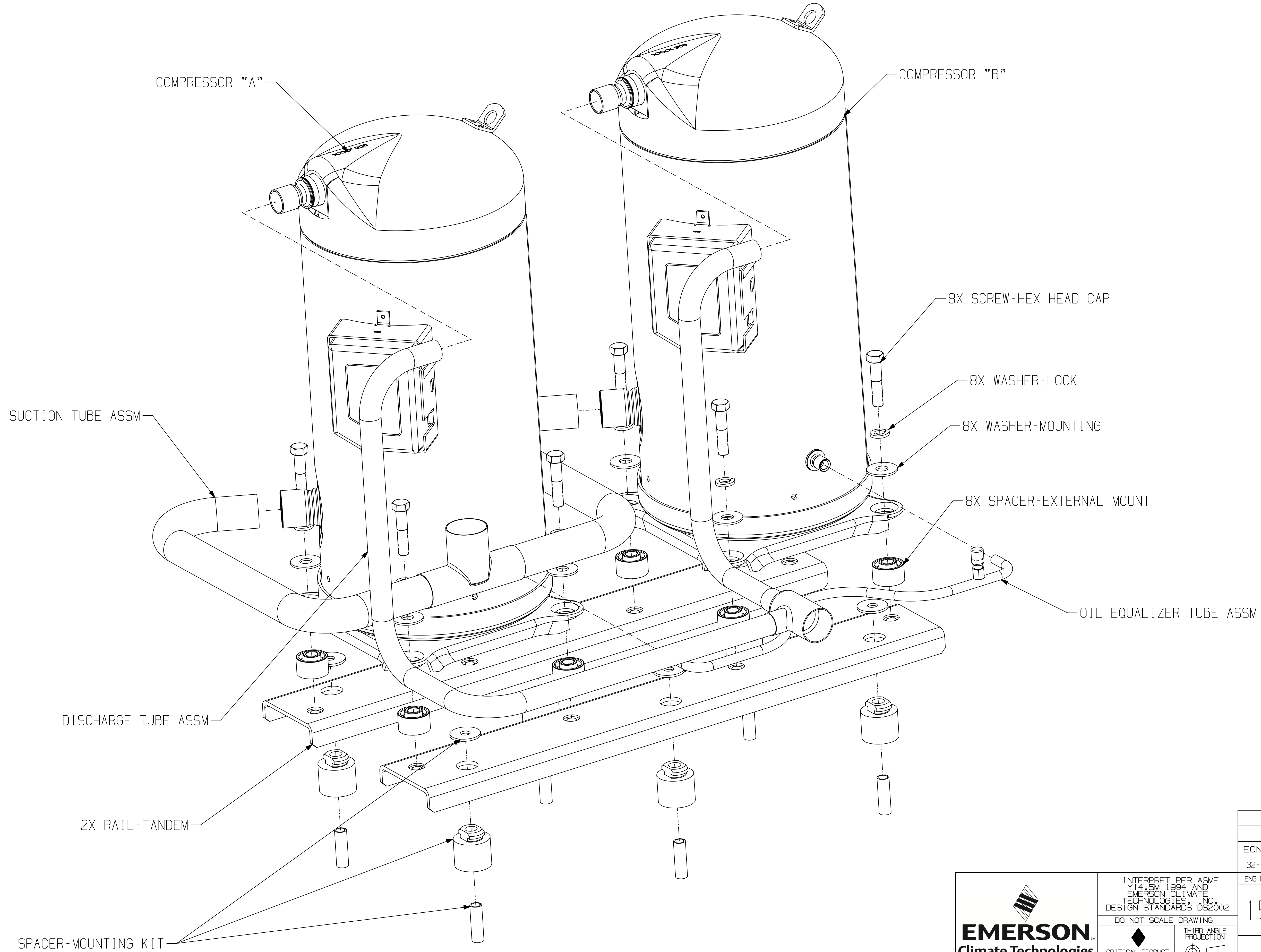
THIRD ANGLE PROJECTION

CRITICAL PRODUCT CHARACTERISTICS

UNLESS OTHERWISE SPECIFIED DIMENSIONS ARE MILLIMETER OR (1 INCH)

1-PLACE ± N/A  
2-PLACE ± N/A  
ANGULAR ± N/A

|                        |  |                                    |                                |              |      |      |
|------------------------|--|------------------------------------|--------------------------------|--------------|------|------|
| ECN300942              | 22   | REDRAWN WITH CHANGES & SEE SHEET 2 | 07-20-17                       | KVB          | PBM  | KJR  |
| 32-0499-014            | 0  | RELEASED                           | 07-01-99                       | SMD          | RST  | RST  |
| ENG NOTICE NO.         | REV.NO.  | REVISIONS                          | DATE                           | BY           | CHKD | APPR |
| CONFIDENTIALITY NOTICE |  |                                    |                                |              |      |      |
| 15                     | THIS DRAWING AND INFORMATION CONTAINED HEREIN ARE THE EXCLUSIVE PROPERTY OF EMERSON CLIMATE TECHNOLOGIES, INC. AND SHALL BE RETURNED UPON DEMAND AND SHALL NOT BE REPRODUCED IN WHOLE OR IN PART DISCLOSED TO ANYONE ELSE OR USED, WITHOUT THE WRITTEN CONSENT OF EMERSON CLIMATE TECHNOLOGIES, INC. |                                    |                                |              |      |      |
| MATERIAL SPECIFICATION |  | DRAWN BY                           | SUPERSEDES DWG. NO. / REV. NO. |              |      |      |
| N/A                    |  | KVB                                | 497-2734-00/021                |              |      |      |
|                        |  | DATE                               | SCALE                          | DATE FORMAT: |      |      |
|                        |  | 07-20-17                           | 1:3                            | MM-DD-YY     |      |      |
| TITLE                  |  | DRAWING NUMBER                     | SHEET 1 OF 2                   |              | DWG  |      |
| REF DWG-WELD COMP ASSM |  | 497-2734-00                        |                                |              | 4    |      |
|                        |  |                                    |                                |              |      | SIZE |
|                        |  |                                    |                                |              |      |      |



INTERPRET PER ASME Y14.5M-1994 AND EMERSON CLIMATE TECHNOLOGIES, INC. DESIGN STANDARDS DS2002  
 DO NOT SCALE DRAWING  
 CRITICAL PRODUCT CHARACTERISTICS  
 THIRD ANGLE PROJECTION  
 UNLESS OTHERWISE SPECIFIED DIMENSIONS ARE MILLIMETER OR (1 INCH)  
 TOLERANCES:  
 1-PLACE ± N/A  
 2-PLACE ± N/A  
 ANGULAR ± N/A

|  |         |                             |                |     |                                |      |
|--|---------|-----------------------------|----------------|-----|--------------------------------|------|
| ECN300942  | 22      | ADDED SHEET 2 & SEE SHEET 1 | 07-20-17       | KVB | PBM                            | KJR  |
| 32-0499-014  | 0       | RELEASED                    | 07-01-99       | SMD | RST                            | RST  |
| ENG NOTICE NO.   | REV.NO. | REVISIONS                   | DATE           | BY  | CHKD                           | APPR |
| CONFIDENTIALITY NOTICE   |         |                             |                |     |                                |      |
| 15 THIS DRAWING AND INFORMATION CONTAINED HEREIN ARE THE EXCLUSIVE PROPERTY OF EMERSON CLIMATE TECHNOLOGIES, INC., AND SHALL BE RETURNED UPON DEMAND AND SHALL NOT BE REPRODUCED IN WHOLE OR IN PART DISCLOSED TO ANYONE ELSE OR USED, WITHOUT THE WRITTEN CONSENT OF EMERSON CLIMATE TECHNOLOGIES, INC. |         |                             |                |     |                                |      |
| MATERIAL SPECIFICATION   |         |                             | DRAWN BY       |     | SUPERSEDES DWG. NO. / REV. NO. |      |
| N/A  |         |                             | KVB            |     | 497-2734-00/021                |      |
|  |         |                             | DATE           |     | SCALE                          |      |
|  |         |                             | 07-20-17       |     | 1:2                            |      |
| TITLE  |         |                             | DRAWING NUMBER |     | SHEET 2 OF 2                   |      |
| REF DWG-WELD COMP ASSM   |         |                             | 497-2734-00    |     | 4                              |      |
|  |         |                             |                |     | SIZE                           |      |

© COPYRIGHT EMERSON CLIMATE TECHNOLOGIES, INC. - CONFIDENTIAL