

Request For Quote - DX Intertwined Coils

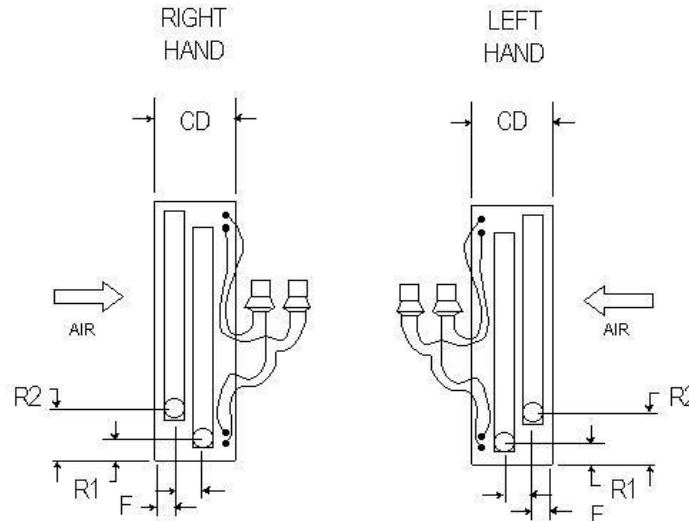
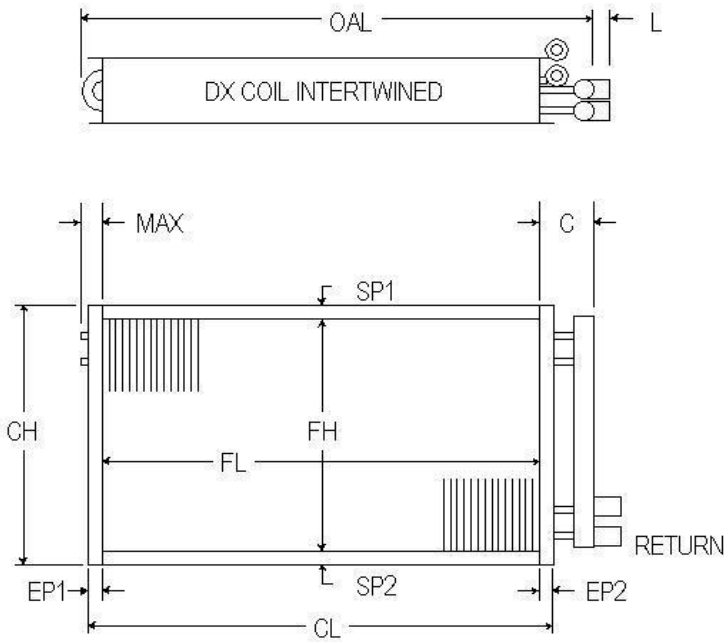
Print and complete the following based on original coil, or coil needed, and return email to: coils@ptacsolutions.com or fax to: 763-322-9000

DIMENSIONAL DATA IN INCHES																	RETURN		CONNECTION SIZES SWEAT				
ITEM	QTY	ROWS	FPI	SP1	FH	SP2	CH	EP1	FL	EP2	CL	MAX	C	OAL	L	CD	R	F	DISTRIBUTORS	RETURN	CU		
P.O. #								CUSTOMER															
W.O. #								MODEL NO.															
APPROVED BY								TAG:															
DATE								NOTES															
Performance Data	CFM				EAT						EVAPORATOR TEMP					REFRIGERANT			CAPACITY				

Name: _____
Email: _____
Phone: _____

DX COILS INTERTWINED

ROWS AVAILABLE	1	2	3	4	5
	6	8	10	12	
FPI AVAILABLE	6	7	8	9	10
	11	12	13	14	
TUBES OD & Wall Thickness COPPER ONLY	5/8	.020		.025	
	1/2	.035		.049	
FINS Material & Thickness	ALUM.	.006		.010	
	COPPER	.006			
CASING	16 GA. GALV. STEEL				
	16 GA. STAINLESS STEEL				
HEADERS COPPER ONLY	5/8	7/8	1 1/8		
	1 3/8	1 5/8	2 1/8		
	2 5/8	3 1/8			



Please double check all dimensions - coils are custom made - non-returnable